
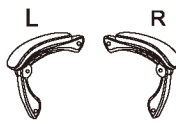



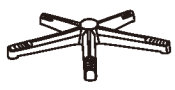
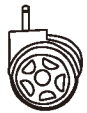

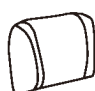

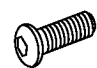








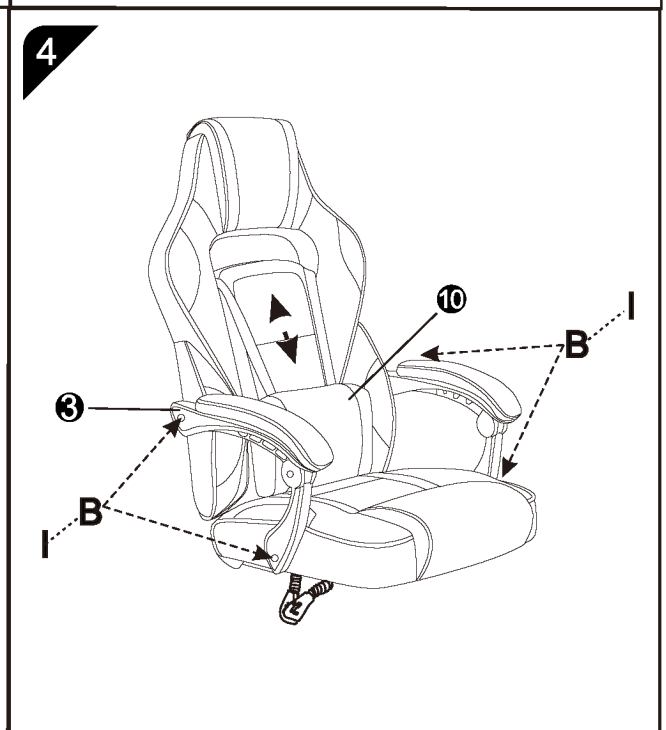
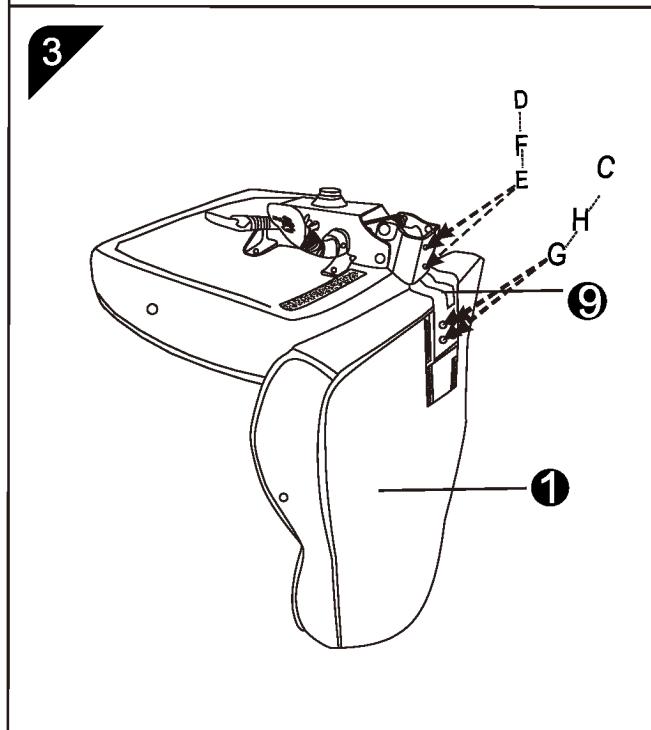
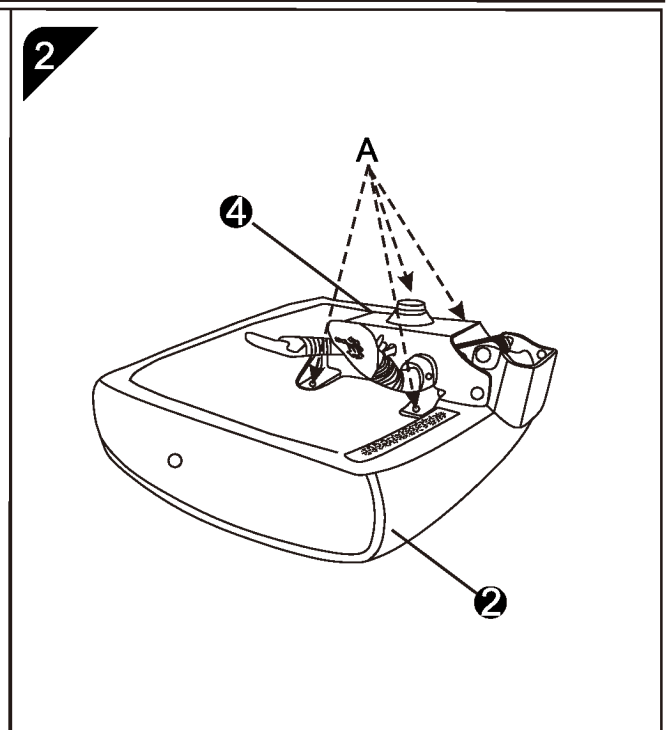
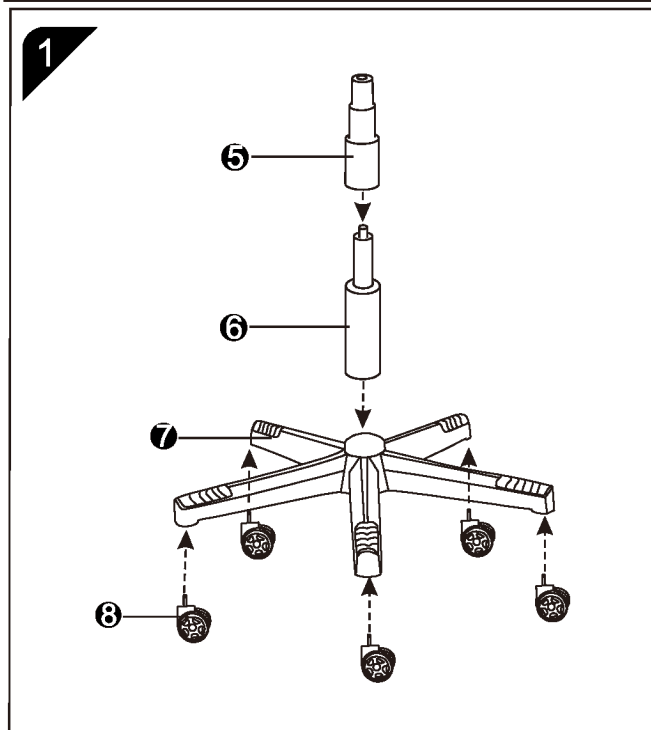
 ①	 ②	 ③	 ④	 ⑤	 ⑥	
 ⑦	 5PCS ⑧	 ⑨	 ⑩	 M6*20 4PCS A	 M8*30 4PCS B	 M6*30 4PCS C
 M8*20 3PCS D	 M8*18*1.5 3PCS E	 M8 3PCS F	 M6*18*1.2 4PCS G	 M6 4PCS H	 25MM 4PCS I	 M6 J



5

