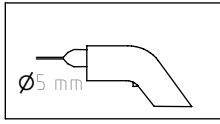
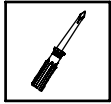
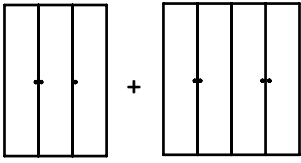

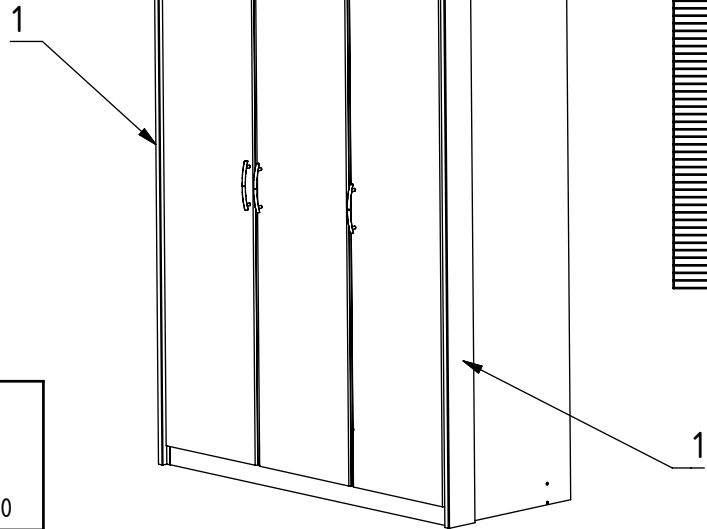


MONTAGEANLEITUNG
INSTRUCTIONS DE MONTAGE
ASSEMBLY INSTRUCTIONS
MONTAGEAANWIJZING



145	12x		3,5x30
-----	-----	-----------------------------------------------------------------------------------	--------



1.

