


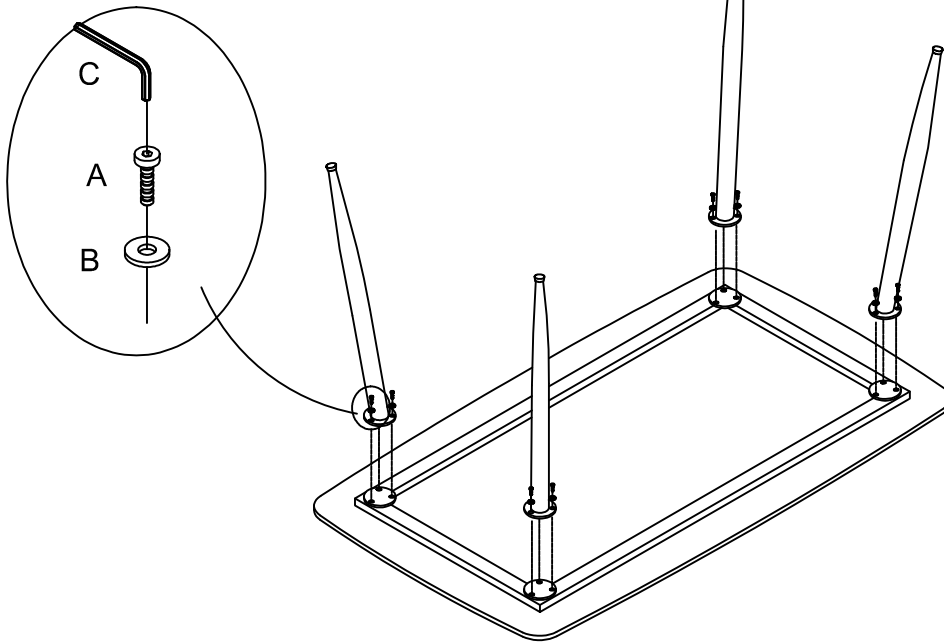


ASSEMBLY INSTRUCTION

A  X12	B  X12	C  X01				
---	---	---	--	--	--	--

STEP 1.



STEP 2.

